

Struck Corporation
PO Box 307
Cedarburg, WI 53012

Phone: (262) 377-3300
Fax: (262) 377-9247
Email: parts@struckcorp.com

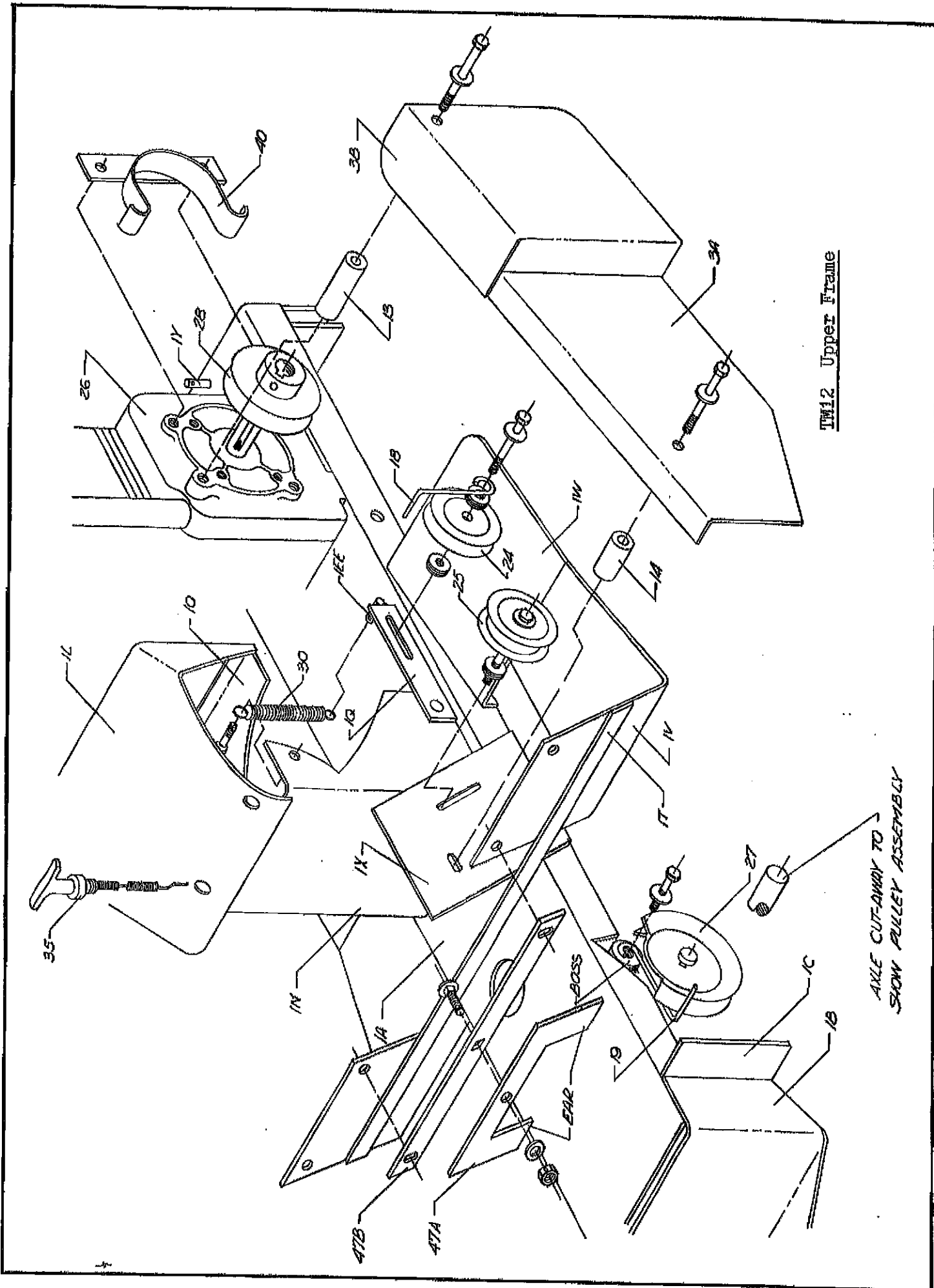
Abbreviated Parts list for MAGNATRAC MT2000
Due to constant price change, please call for pricing. Thank you.

Part #	Description
LOWER FRAME	
MT2L-09	(Use MT3-209) Front Idler
MT2L-10	(Use 000210) Idler Wheel Assembly, 9-1/2" Dia
MT2L-11	Rear Drive
MT2L-12	(Use MT3-213) Center Axle
MT2L-13	(Use MT3-214) Rear Axle
MT2L-14	(Use MT3-215) Front Axle
MT2L-17	(Use 001030-up) Rod
MT2L-19	(Use MT2L-19) Primary Drive
MT2L-21	(Use 000424) Brake Band, 4" ID x 3/8" Slotted Loop
MT2L-23	(Use MT3-223) Shaft
MT2L-24	(Use MT3-251) Sprocket, 50B11
MT2L-25	(Use 000252A and 000252B) Bearing Assembly (includes shells)
000228	Machine Key, 1/4" x 1/4" x 1"
002581	Set of Tracks (new flat pad design, measure old tracks)
TSO40	Heavy-Duty Grouser Track Shoe Kit
MT2L-30B	Track Shoe only, (replaced by MT3 part) specify street or grouser.
MT2L-30G	(Use MD-004) Track Pin w/ cotter key, Original Style
MT2001-G	Grouser Shoe Welded to Inner Roller Link & Pins
MT2002-G	Grouser Shoe Welded to Outer Master Link & Pins
MT3-211	(Use 000211) Idler Wheel Assembly, 4" Diameter
000671D	7/8 x 1 x 1 Oilite Bearing
000671Dkit	Oilite Bearing Kit (25 pc 000671D)
000242	Washer, Steel, 1-1/2" OD x 7/8" ID x 18 (for axle)
000716	Washer, Steel, 1" ID x 1-1/2" OD
000728-E	Snap Ring, 7/8" ID ("E" - Type)

UPPER FRAME

MT2U-20	(Use 000425) Drum, Brake, 4" OD x 1" Bore(transaxle)
MT2U-21	(Use 000424) Brake Band, 4" ID x 3/8" Slotted Loop (parking brake)
MT2U-23	(Use 000217A) Clevis, Yoke End 5/15-24 x 2-1/4"
MT2U-24	(Use 002047) Pulley, "V", Idler 4" OD x 3/8" Bore, Main Drive Belt
MT2U-25	(Use 001925Kit3) Pulley Replacement Kit
MT2U-27	(Use MT3-420) 5" V Pulley x 3/4 Bore, 2pc w/Locking Hub
MT2U-29	(Use MT2U-29) Drive Belt, B81
MT2U-30	(Use MT3-428) Spring, 5/8" x 9-1/2"
MT2U-32	Transaxle, Peerless 2338 - (No Longer Available)
MT2U-35	(Use 000429) Throttle Control Assembly (universal cable)
MT2U-36	(Use 000430) Choke Cable Assembly
MT2U-41	(Use 000441) Neutral Safety Switch, Sensing (interlock switch)
MT2U-42	(Use MT3-443) Solenoid
MT2U-46	(Use 000440) Leaf Spring
MT2U-51	(Use 000444) Ignition Switch with Key, Nut and Lock Washer
MAN-MT2004	Plans/Assembly Manual
DEC-MT2003	Decal Set

Shipping and handling costs will be added to your order amount. We accept VISA, Mastercard, AMEX, Discover, PayPal and checks with a 2 week waiting period. Make checks payable to Struck Corp.



TM12 Upper Frame

AXLE CUT-AWAY TO
SHOW PULLEY ASSEMBLY

Lower Frame

